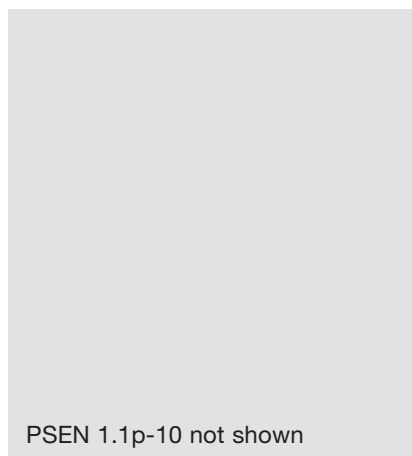


Non-contact, magnetic safety switch PSEN 1.1p-10




Safety switch for controlling the position of moveable safety devices in accordance with EN 60947-5-3

Features

- For applications up to category 4 in accordance with EN 954-1
- 2 contacts (2 N/O)
- Small, compact structure
- IP67
- 4-pin M8 pin connector

Approval

	PSEN 1.1p-10
	Pending

Description

The safety switch PSEN 1.1p-10 is designed with the actuator PSEN 1.1-10 for monitoring the position of swinging, sliding and detachable safety devices.

For safe applications, they are only permitted in conjunction with an approved evaluation device (see section „Connections“).

Technical details	PSEN 1.1p-10
Electrical data	
Switching voltage	24 V DC
Switching current	500 mA
Power consumption	10 W
Max. switching frequency	1 Hz
Switch offset	s_{on} : > 0,5/≤ 3 mm s_{off} : > 11 mm
Contacts	2 contacts (2 N/O)
Actuator	Magnet PSEN 2.1-10
Environmental data	
Ambient temperature	-10 ... 55 °C
Vibration in accordance with EN 60947-5-2, 08/00	Frequency: 10 ... 55 Hz, Amplitude: 1 mm
Mechanical data	
Mounting position	any; safety sensor and actuator parallel and opposing
Housing material	PBT signal yellow
Protection types	IP65/IP67
Connection type	4-pin M8 pin connector
Dimensions (L x W x H)	36 x 26 x 13 mm
Weight	PSEN 1.1p-10: 15 g PSEN 1.1-10: 15 g

Order reference

Type	Pcs	Order No.
PSEN 1.1p-10/PSEN 1.1-10	1/1	504 210
PSEN 1.1p-10	1	524 110
PSEN 1.1-10	1	514 110

Accessories

Description		Order No.
Cable 2 m with right angle plug	1	533 110
Cable 5 m with right angle plug	1	533 120
Cable 10 m with right angle plug	1	533 130
Cable 2 m with straight plug	1	533 111
Cable 5 m with straight plug	1	533 121
Cable 10 m with straight plug	1	533 131
Distance plate	10	534 310
Mounting angle	1	532 110

The safety sensors have a dual-channel structure (2 N/O).

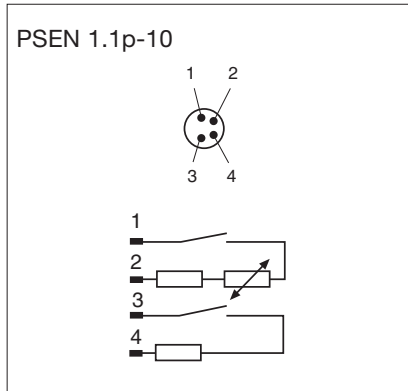
Application

- Dirty conditions, safety sensor and actuator are easy to clean
- Dusty conditions

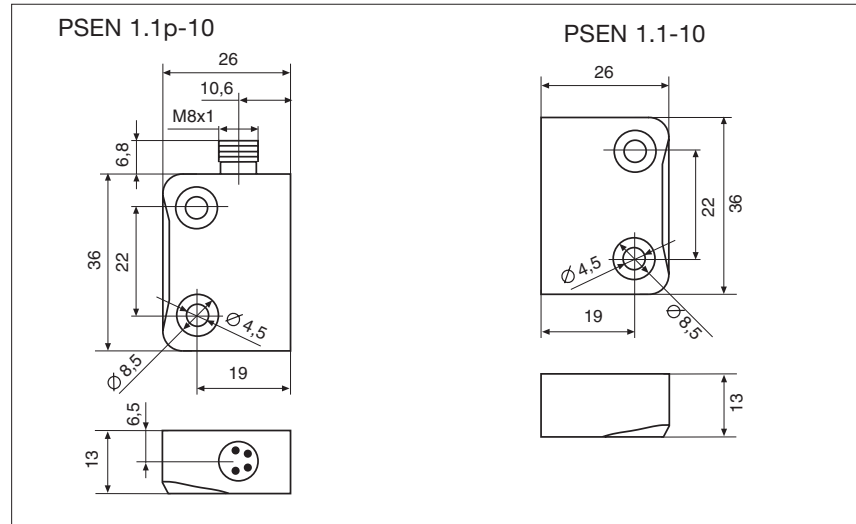
Concealed installation behind non-magnetic materials is possible

Non-contact, magnetic safety switch PSEN 1.1p-10

Connections



Dimensions (in mm)

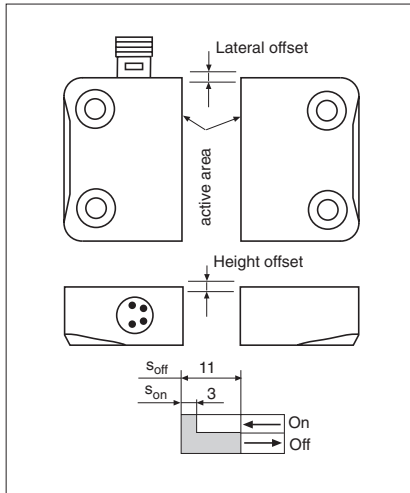


Connection to evaluation device

<ul style="list-style-type: none"> • PNOZ p1p • PNOZ X2 • PNOZ X2.1 • PNOZ X2P • PNOZ X2.3P • PNOZ X2.7P • PNOZ X2.8P • PNOZ x2C • PNOZ X2.1C • PNOZ X4 	
<ul style="list-style-type: none"> • PNOZ X5 • PNOZ X5J 	
<ul style="list-style-type: none"> • PNOZ 11 • PNOZ 16 • PNOZ X13 • PNOZ X2.5P • PNOZ X3 • PNOZ X3.1 • PNOZ X3P • PNOZ X3.10P • PNOZ XV2 • PNOZ XV2P • PNOZ XV3 • PNOZ XV3P 	
<ul style="list-style-type: none"> • PNOZ X6 	

Non-contact, magnetic safety switch PSEN 1.1p-10

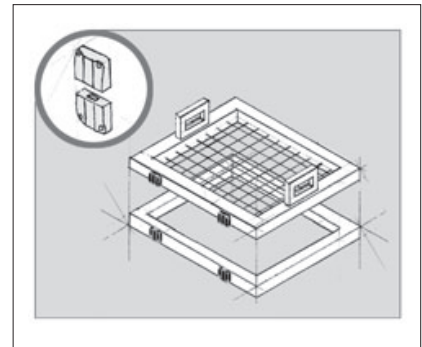
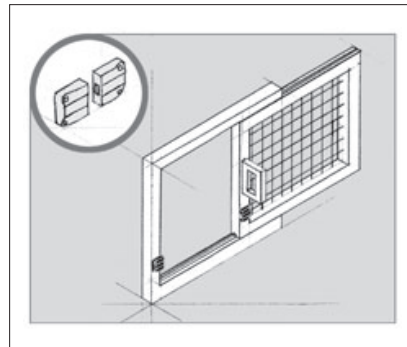
Max. lateral and height offset in mm



Max. Switching distance	Max. lateral offset	Max. height offset
0,5	2,0	3,0
	3,0	1,5
1,0	1,5	3,0
	2,5	1,5
1,5	1,0	3,0
	2,5	1,0
2,0	1,5	2,0
	2,0	1,0
2,5	1,0	1,5
3,0	1,0	0,5

● Sliding safety device

● Detachable safety device



Applications

● Swinging safety device

