

Technical Data

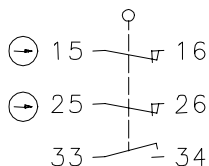
Safety switch

Series SK – with separate actuator

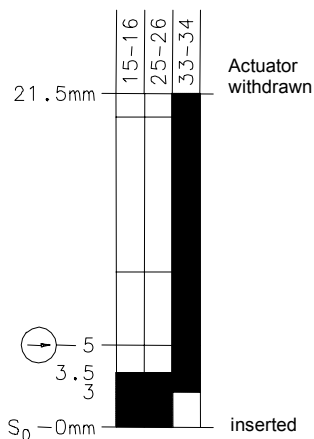
Description **SK-UV15Z M**



Article number **6016169026**

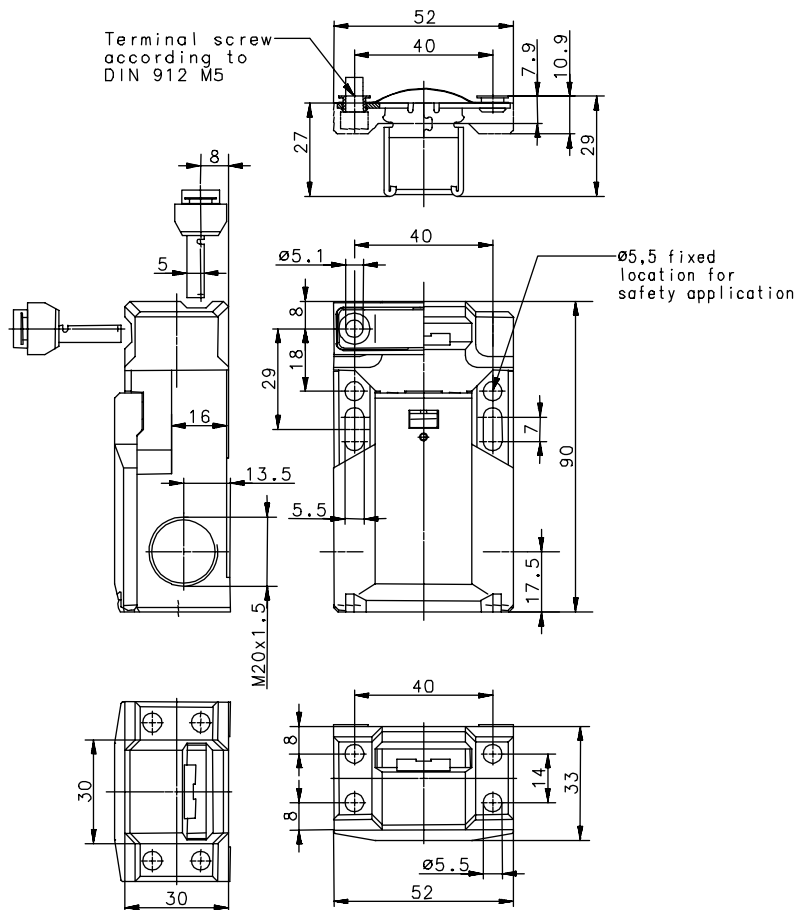
Operating symbol




Operating diagram



 ON
  OFF
 Tolerances
 Operating point: $\pm 0,25\text{mm}$;
 Actuating force: $\pm 10\%$



Electrical data

Rated insulation voltage	U_i	400V AC
Conv. thermal current	I_{the}	5A
Utilization category		AC-15, U_e/I_e 240V/1,5A
Direct opening action		according to IEC/EN 60947-5-1, Annex K
Short-circuit protective device		Fuse 6A gL/gG
Protection class		II, totally insulated

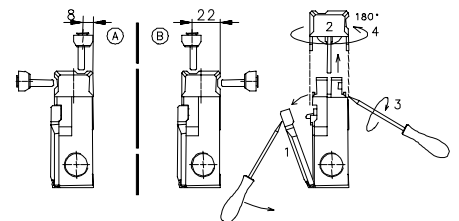
This document will not become the contractual basis; the details included herein do not constitute any descriptions of expected conditions, so that warranties/claims for defects on account of possible variations of the actual qualities from the qualities described herein are explicitly excluded. All rights reserved. Specifications subject to change without notice!

Mechanical data

Enclosure	Thermoplastic, glass fibre reinforced (UL94-V0)
Cover	Thermoplastic, glass fibre reinforced (UL94-V0)
Actuator	Separate actuator (St-stainless steel)
Extraction force	10N
Ambient air temperature	-30°C ... +80°C
Contact type	2 NC, 1 NO (Zb)
Mechanical life	1 x 10 ⁶ switch operations
Switching frequency	≤ 30 / min.
Assembly Safety switch	2 x M5
Actuator	2 x M5
Connection	6 screw connections (M3)
Conductor cross-sections	Solid: 0,5 ... 1,5mm ² Litz wire with ferrules: 0,5 ... 1,5mm ²
Cable entrance	2 x M20 x 1,5
Weight	≈ 0,15kg
Installation position	Operator definable
Protection type	IP65 acc. to IEC/EN 60529

Actuation

Turning the cap (pos A/B) allows 4 different directions of drive.
Cover (1) has to be opened before turning the cap (2).
Insert the screwdriver into the gap between housing and cap and turn until the cap snaps off.
Remove the cap, turn it 180° (4), latch it into the housing and close the cover.



Standards

VDE 0660 T100, DIN EN 60947-1, IEC 60947-1
VDE 0660 T200, DIN EN 60947-5-1, IEC 60947-5-1
GS-ET 15

EU Conformity

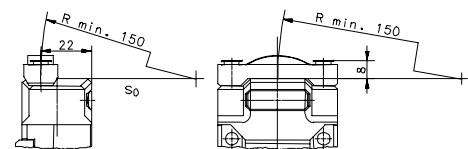
CE

Approvals

BG
cCSA_{US} B300 (same polarity)

Notes

The degree of protection (IP code) specified applies solely to a properly closed cover and the use of an equivalent cable gland with adequate cable.
The switch may not be used as a mechanical stop.
Radial actuation may reduce the mechanical life.
The min. radius refers to a pivot at the top of the cap (S₀).
Tapped holes not in use must be closed with blind plugs.



This document will not become the contractual basis; the details included herein do not constitute any descriptions of expected conditions, so that warranties/claims for defects on account of possible variations of the actual qualities from the qualities described herein are explicitly excluded. All rights reserved. Specifications subject to change without notice!

Date of issue: 16.01.2006 / Page 2 of 2
Document : 6016169026_en / Last update: 1 / 2043-06